

WAYNE®

Submersible Multi-Use Pump

Please read and save these instructions. Read carefully before attempting to assemble, install, operate or maintain the product described. Protect yourself and others by observing all safety information. Failure to comply with instructions could result in personal injury and/or property damage! Retain instructions for future reference.

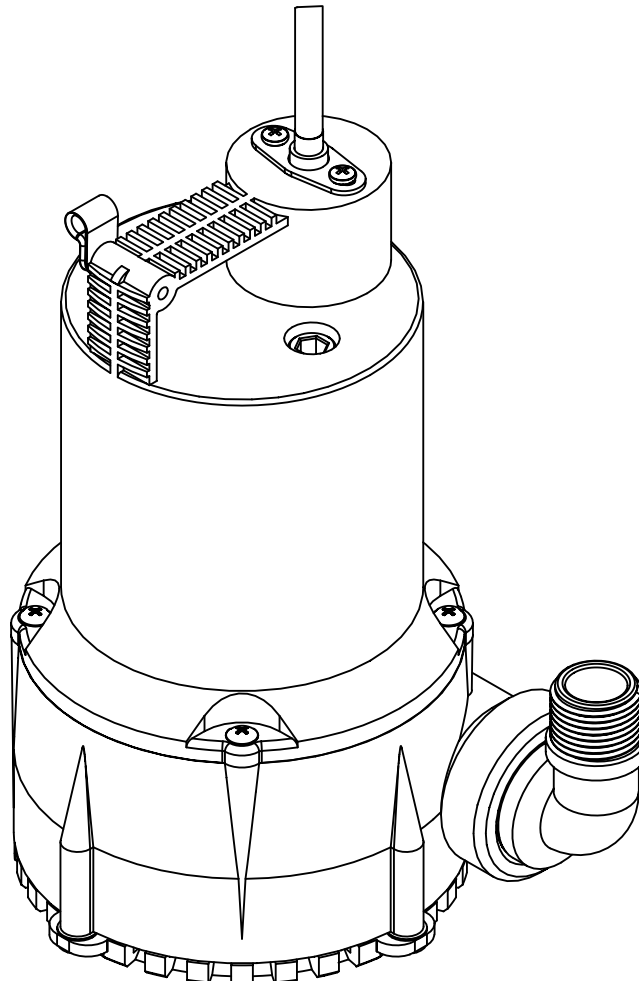
Operating Instructions Manual

RUP160

SPECIFICATIONS	
POWER SUPPLY REQUIREMENTS	120 V, 60 Hz
MOTOR	Single Phase
HORSEPOWER	1/6 HP
CIRCUIT REQUIREMENT	15 A (minimum)

CONSTRUCTION	
MOTOR HOUSING	Thermoplastic
MOTOR SHAFT	Stainless Steel
IMPELLER	Thermoplastic
VOLUTE	Stainless Steel
PUMP DISCHARGE	1-1/4 in. NPT with Included Adapter

PERFORMANCE GAL/HR						
Model	HP	Discharge Head (Lift Distance)				
		0 ft	5 ft	10 ft	15 ft	20 ft
RUP160	1/2	3100	2350	1600	900	250



Intended for Indoor Use Only

Operating Instructions Manual

DESCRIPTION

This portable, submersible utility pump is designed for non-automatic use in water. The units are equipped with a 9 ft. 3-prong grounding type power cord. The discharge fitting is designed for convenient attachment to a garden hose, in a temporary application.

Intended for indoor use only. Installation of this pump outdoors, unprotected from the weather, may cause hazardous conditions and will void warranty. If using outdoors, protect pump from direct weather elements such as sun, rain, sleet, snow, and extreme temperature changes. Water inside the pump may freeze, limiting its performance and damaging the pump, pipes, and hoses.

UNPACKING

Inspect this unit before it is used. Occasionally, products are damaged during shipment. If the pump or components are damaged, contact customer service at 1-800-237-0987.

SAFETY SIGNAL WORDS

This manual contains information that is very important to know and understand. This information is provided for SAFETY and to PREVENT EQUIPMENT PROBLEMS. To help recognize this information, observe the following symbols.

⚠ DANGER Danger indicates an imminently hazardous situation which, if NOT avoided, WILL result in death or serious injury.

⚠ DANGER La mention Danger indique une situation dangereuse imminente qui, si elle n'est pas évitée, ENTRAÎNE la mort ou des blessures graves.

⚠ WARNING Warning indicates a potentially hazardous situation which, if NOT avoided, COULD result in death or serious injury.

⚠ AVERTISSEMENT La mention avertissement indique une situation potentiellement dangereuse qui, si elle n'est pas évitée, risque d'entraîner des lésions corporelles graves ou même la mort.

⚠ CAUTION Caution indicates a potentially hazardous situation which, if NOT avoided, MAY result in minor or moderate injury.

⚠ MISE EN GARDE La mention mise en garde indique une situation potentiellement dangereuse qui, si elle n'est pas évitée, pourrait entraîner des blessures mineures ou modérées.

NOTICE Notice indicates important information, that if NOT followed, MAY cause damage to equipment.

⚠ This is the safety alert symbol. It is used to alert you to potential bodily injury hazards. Obey all safety messages that follow this symbol to avoid possible harm.

NOTE: Information that requires special attention.

GENERAL SAFETY INFORMATION

⚠ WARNING

This product can expose you to chemicals, including DEHP, which is known to the State of California to cause cancer, birth defects and reproductive harm. For more information, go to www.P65Warnings.ca.gov.

⚠ AVERTISSEMENT

Ce produit peut vous exposer à des produits chimiques, notamment du DOP, reconnus par l'État de Californie comme étant cancérigènes et à l'origine d'anomalies congénitales et de problèmes de l'appareil reproductif. Pour plus de renseignements, visiter le site www.P65Warnings.ca.gov.

GENERAL SAFETY

- Read all manuals included with this product carefully. Be thoroughly familiar with the controls and the proper use of the equipment. Follow all instructions.
- Only persons well acquainted with these rules of safe operation should be allowed to use the unit. Keep away from children.



⚠ DANGER Do NOT pump flammable or explosive fluids such as gasoline, fuel oil, kerosene, etc. Do NOT use in a flammable and/or explosive environment. This pump is intended for use with only clear water. Personal injury and/or property damage will result, and void warranty.



⚠ DANGER NE PAS pomper de fluides inflammables ou explosifs tels que l'essence, le mazout, le kérosène, etc. NE PAS utiliser dans un environnement inflammable et/ou explosif. Cette pompe est destinée à être utilisée avec de l'eau claire. Si ce n'est le cas, des blessures corporelles et des dégâts matériels peuvent en résulter, et annuler la garantie.

REMINDER: Keep your dated proof of purchase for warranty purposes! Attach it to this manual or file it for safekeeping.

GENERAL SAFETY INFORMATION (CONT'D)

⚠ DANGER Risk of electric shock! This pump has NOT been tested for use in swimming pool or marine areas. NEVER place pump in pools while people are in the water.



⚠ DANGER Risque de choc électrique! Cette pompe N'a PAS été testée pour une utilisation dans une piscine ou dans des aires marines. NE JAMAIS placer la pompe dans les piscines pendant que les gens sont dans l'eau.

⚠ DANGER Do NOT handle pump with wet hands or when standing in water or on a damp surface.

⚠ DANGER NE PAS manipuler la pompe avec les mains humides ou debout dans l'eau ou sur une surface humide.

⚠ DANGER Risk of electric shock! This pump is supplied with a grounding conductor and grounding type attachment plug. Use a grounded (GFCI) receptacle to reduce the risk of fatal electrical shock.

⚠ DANGER Risque de choc électrique! Cette pompe est fournie avec un conducteur de mise à la terre et une fiche de terre. Utiliser une prise équipée d'un disjoncteur de fuite à la terre (GFCI) pour réduire le risque de choc électrique mortel.

1. Wear safety glasses at all times when working with pumps.
2. It is required that this unit be plugged into a Ground Fault Circuit Interrupter (GFCI). Consult a local electrician for installation and availability.
3. Use the handle supplied on the pump to carry or move pump. Otherwise, damage to the power cord or discharge hose may occur and void warranty.

APPLICATION AND OPERATION

⚠ WARNING This unit is NOT designed for use in septic tanks or underground vaults to pump raw sewage or effluents. Never use in hazardous or explosive locations.

⚠ AVERTISSEMENT Cette unité n'est PAS desinged pour une utilisation dans des fosses septiques ou des voûtes souterraines pour pomper les eaux usées ou des effluents. N'utilisez jamais dangereux ou à explosion.

1. This pump has been designed with 1-1/4 in. NPT discharge size. Connect pipe or fitting to the discharge threads, or connect the supplied garden hose elbow fitting to the pump. Thread the female end of the garden hose to the male discharge on the pump.
2. To reduce leakage between the pump and the hose, place a hose washer (not included) on the garden hose before installing to the pump, and wrap thread sealant tape around the adapter (not included).
3. For best pump performance, unwind the hose before starting the pump. This will help remove any kinks or binds in the hose and allow the unit to pump with less restriction.
4. Set the pump on a hard, flat surface in the water. Do not set the pump directly on mud or sand surfaces. This will cause the inlet screen to clog.
5. The water level must be at least 1-3/4 in. for the pump to prime and operate.

NOTE: Water levels less than 1-3/4 in. will not allow the impeller to contact water and no water will be pumped.

NOTICE Do NOT allow pump to run dry. The shaft seal depends on water for lubrication. Operating pump without water WILL damage the shaft seal and cause pump failure, and void warranty.



LIMITED WARRANTY

For one year for the RUP160 model from the date of purchase, from an authorized dealer, Wayne Water Systems will repair or replace, at its option for the original purchaser, any part or parts of its Multi-Use or Water Pumps ("Product") found upon examination by Wayne Water Systems to be defective in materials or workmanship. Please call Wayne Water Systems (800-237-0987) for warranty instructions. Be prepared to provide the model number and the serial number when exercising this warranty. All transportation charges on Products or parts submitted for repair or replacement must be paid by purchaser.

This Limited Warranty does not cover Products which have been damaged as a result of accident, abuse, misuse, neglect, improper installation, improper maintenance, or failure to operate in accordance with Wayne Water Systems' written instructions.

THIS WARRANTY IS IN LIEU OF ANY AND ALL OTHER WARRANTIES, OBLIGATIONS OR AGREEMENTS, EXPRESSED OR IMPLIED, INCLUDING ANY IMPLIED WARRANTY OF MERCHANTABILITY OR FITNESS FOR ANY PARTICULAR PURPOSE, AND ANY RIGHTS OR REMEDIES AGAINST ANY PERSON OR ENTITY UNDER THE UNIFORM COMMERCIAL CODE OR OTHERWISE WITH RESPECT TO THE SALE OF THE PRODUCT. THE REMEDIES AND OBLIGATIONS STATED IN THIS WARRANTY ARE THE SOLE AND EXCLUSIVE REMEDIES OF AND OBLIGATIONS TO THE OWNER FOR ANY AND ALL MATTERS ARISING WITH RESPECT TO OR IN ANY WAY CONNECTED WITH THE PRODUCT, REGARDLESS OF THE SOURCE OR PROVIDER OF SUCH GOODS. IN NO EVENT, WHETHER AS A RESULT OF BREACH OF CONTRACT, WARRANTY TORT (INCLUDING NEGLIGENCE) OR OTHERWISE, SHALL WAYNE WATER SYSTEMS OR ANY AFFILIATE BE LIABLE FOR ANY SPECIAL, INCIDENTAL OR CONSEQUENTIAL DAMAGES.

You **MUST** retain your purchase receipt along with this form. In the event you need to exercise a warranty claim, you **MUST** send a **copy** of the purchase receipt along with the material or correspondence. Please call Wayne Water Systems (800-237-0987) for return authorization and instructions.

DO NOT MAIL THIS FORM TO Wayne Water Systems. Use this form only to maintain your records.

MODEL NO. _____ SERIAL NO. _____ INSTALLATION DATE _____

ATTACH YOUR RECEIPT HERE

Operating Instructions Manual

APPLICATION AND OPERATION (CONT'D)

⚠ DANGER Do NOT handle pump with wet hands or when standing in water or on a damp surface when the unit is operating or fails to operate. ALWAYS disconnect pump power cord from power source before handling.

⚠ DANGER NE PAS manipuler la pompe avec les mains humides ou debout dans l'eau ou sur une surface humide lorsque l'appareil fonctionne ou ne fonctionne pas correctement. TOUJOURS débrancher le cordon d'alimentation de la pompe de la source d'alimentation avant toute manipulation.

6. Plug the power cord into a grounded 115 volt GFCI power outlet. The pump will start operating as soon as the power cord is plugged into the power outlet.
7. The pump will remove water down to 3/8 in. above the hard surface the pump was placed on.
8. The pump should be turned off once the water level reaches the 3/8 in. mark.

MAINTENANCE/TROUBLESHOOTING

⚠ DANGER ALWAYS disconnect electric supply before attempting to install, service, relocate, or perform any maintenance. Failure to do so COULD result in fatal electrical shock.

⚠ DANGER TOUJOURS couper le courant avant d'essayer d'installer, de réparer, de déplacer ou de faire tout entretien. Le non-respect de ces instructions POURRAIT entraîner une décharge électrique mortelle.

There are no internal serviceable parts. If pump should fail to operate, perform the following troubleshooting guidelines, contact Customer Support at 1-800-237-0987, or replace the pump:

⚠ WARNING Disassembly of the motor housing or alteration of the power cord COULD result in fatal electrical shock, and void warranty.

⚠ AVERTISSEMENT Démonter le boîtier du moteur ou modifier le cordon d'alimentation POURRAIT entraîner une décharge électrique mortelle et annuler la garantie.

1. To verify pump is operating correctly:
 - a. Disconnect pump from power source.
 - b. Disconnect discharge hose from pump.
 - c. Immerse pump in a bucket or tub of water.
 - d. Plug power cord into a grounded 115 volt GFCI power outlet. If pump operates correctly, proceed to next step. If pump does NOT operate, unplug power cord and proceed to step #3 in this section.
2. To verify discharge hose is free from a blockage:
 - Connect hose to another water source such as a faucet. If water is restricted, verify discharge hose is unwound. Remove all kinks, bends, or obstructions in hose.

NOTICE Verify pumping height does NOT exceed 20 feet (See Figure 1). If pumping height is greater than 20 feet, this pump will NOT work.

3. Periodic cleaning of pump is required to maintain performance of the pump. Follow the cleaning steps listed below:
 - a. Unplug the power cord.
 - b. Remove the 4 screws in the bottom of the base.
 - c. Remove the base and inlet plate.
 - d. Remove the debris and make sure the impeller turns freely.
 - e. Reinstall inlet plate, base, and screws.

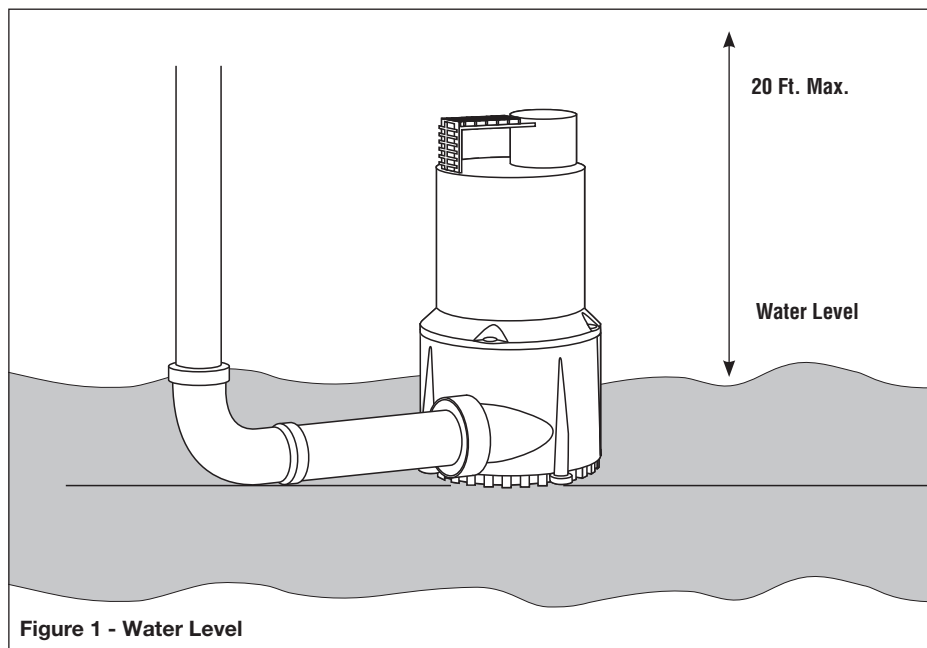


Figure 1 - Water Level